

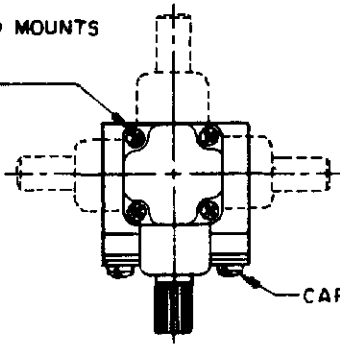
H MICRO SWITCH
 FREEPORT, ILLINOIS, U.S.A.
 A DIVISION OF HONEYWELL

SWITCH - ENCLOSED

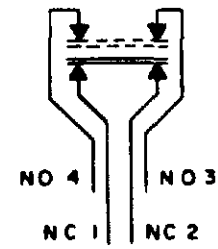
CATALOG LISTING
1LS1

FED MFG CODE 81929

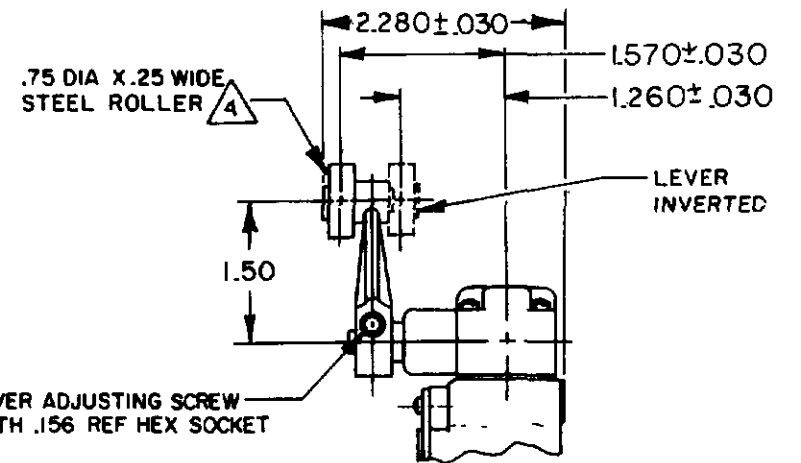
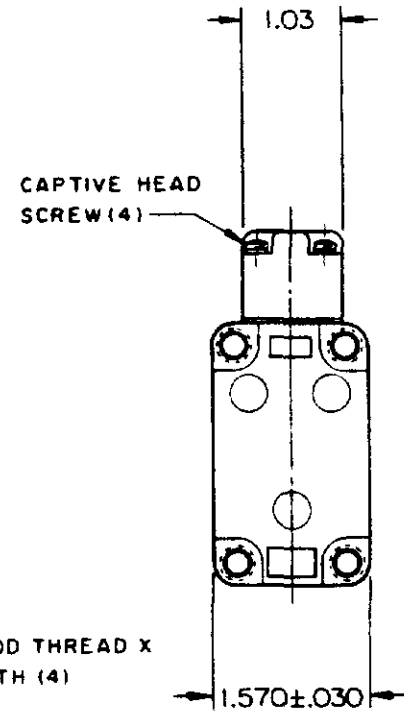
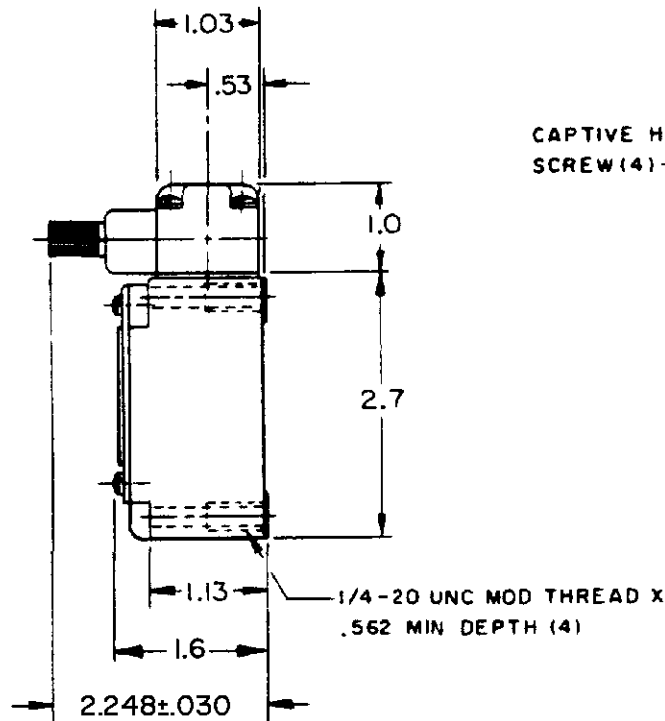
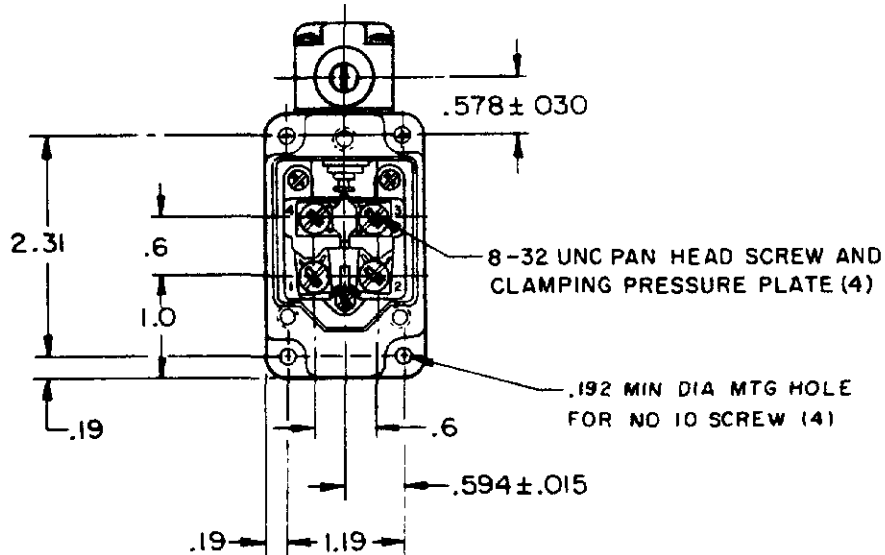
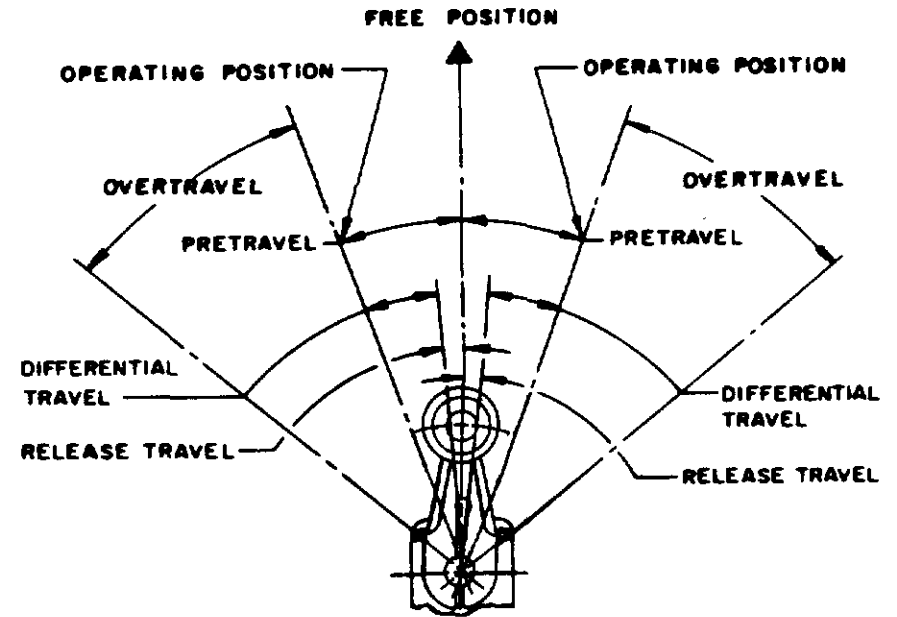
OPERATING HEAD MOUNTS
 IN ANY OF FOUR
 POSITIONS



CAPTIVE COVER SCREW (3)



CIRCUIT DIAGRAM



CAM TRACKING VIEW

CATALOG LISTING
1LS1
 PAGE 1 OF 1

ISSUE
M
 24

REVISIONS
 A CO-95463-B
 D L T
 3 SEP 99
 B ECO-200178
 C S L
 5 APR 00

CHECK
 20 MAR 64

FORMTEK
 FO-80378-003

CHECK
 19 FEB 64
 DRAW
 20 MAR 64

THIS DRAWING COVERS A PROPRIETARY ITEM AND IS THE PROPERTY OF MICRO SWITCH, A DIVISION OF MINNEAPOLIS-HONEYWELL REGULATOR CO. THIS DRAWING IS NOT TO BE COPIED OR USED WITHOUT THE APPROVAL OF MICRO SWITCH.

CHARACTERISTICS	ELECTRICAL DATA	SCALE 1/2 TO 1
OPERATING TORQUE --- 4.5 IN-LB MAX	CONTACT ARRANGEMENT (SEE CIRCUIT DIAGRAM)	DO NOT SCALE PRINT
FULL OVERTRAVEL TORQUE --- 6 IN-LB MAX		UNLESS OTHERWISE NOTED
RELEASE TORQUE --- .75 IN-LB MIN		DIMENSIONS ARE IN INCHES
PRETRAVEL --- 20° MAX	10 A-120, 240, OR 480 VAC; 1/3 HP-120 VAC	TOLERANCES ARE:
DIFFERENTIAL TRAVEL --- 12° MAX	3/4 HP-240 VAC; 0.8 A-115 VDC; 0.4 A-230 VDC	ONE PLACE (.0) ± .030
OVERTRAVEL --- 30° MIN	0.1 A-950 VDC	TWO PLACE (.00) ± .015
RELEASE TRAVEL --- 5° MIN	PILOT DUTY, 800 VAC MAX	THREE PLACE (.000) ± .005
SWITCH-BASIC REPLACEMENT --- 2MNI		ANGLES ±
		WEIGHT 9 OZ

NOTES

- 1- SWITCH IS ASSEMBLED FOR ACTUATION IN BOTH DIRECTIONS BUT MAY BE ADJUSTED TO ACTUATE IN THE CLOCKWISE DIRECTION ONLY OR THE COUNTERCLOCKWISE DIRECTION ONLY
- 2- TO CONVERT SWITCH FOR ACTUATION IN EITHER THE CLOCKWISE OR COUNTERCLOCKWISE DIRECTION ONLY, REMOVE ACTUATOR HEAD AND ROTATE THE NOTCHED PLUNGER 90° TO THE RIGHT FOR CLOCKWISE ACTUATION OR 90° TO THE LEFT FOR COUNTERCLOCKWISE ACTUATION

- 3 SEAL TO BE FURNISHED BY USER
- 4 ROLLER LEVER MAY BE LOCKED IN ANY POSITION THRU 360°
- 5- LEVER FURNISHED UNASSEMBLED IN UNIT PACKING BOX